

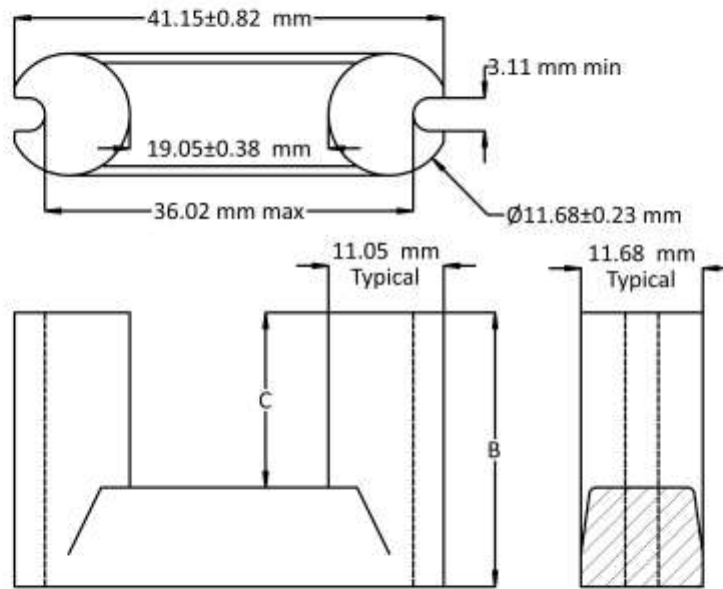


U-cores are versatile shapes allowing larger windings more isolation and coil surface area. Coil forms can be as simple as a cardboard tube.

Historically used with high voltages for driving vacuum tubes, neon, current sensing or CRT's the UR & URS shapes can use the minimum copper and have room for maximum isolation.

In a distributed gap application using U-cores with leg extensions can be the most cost effective in many situations.

Contents	Page
<u>UR 41</u>	2
<u>UR 64</u>	3
<u>UR 69</u>	4
<u>UR 81</u>	5
<u>URS 35</u>	6
<u>URS 55</u>	7
<u>U 11</u>	8
<u>U 32</u>	9
<u>U 33</u>	10
<u>U 38</u>	11
<u>U 52</u>	12
<u>U 91</u>	13
<u>U 93</u>	14
<u>U 102</u>	15
<u>Custom and other U cores</u>	16
<u>Contacts</u>	17
<u>Information</u>	18

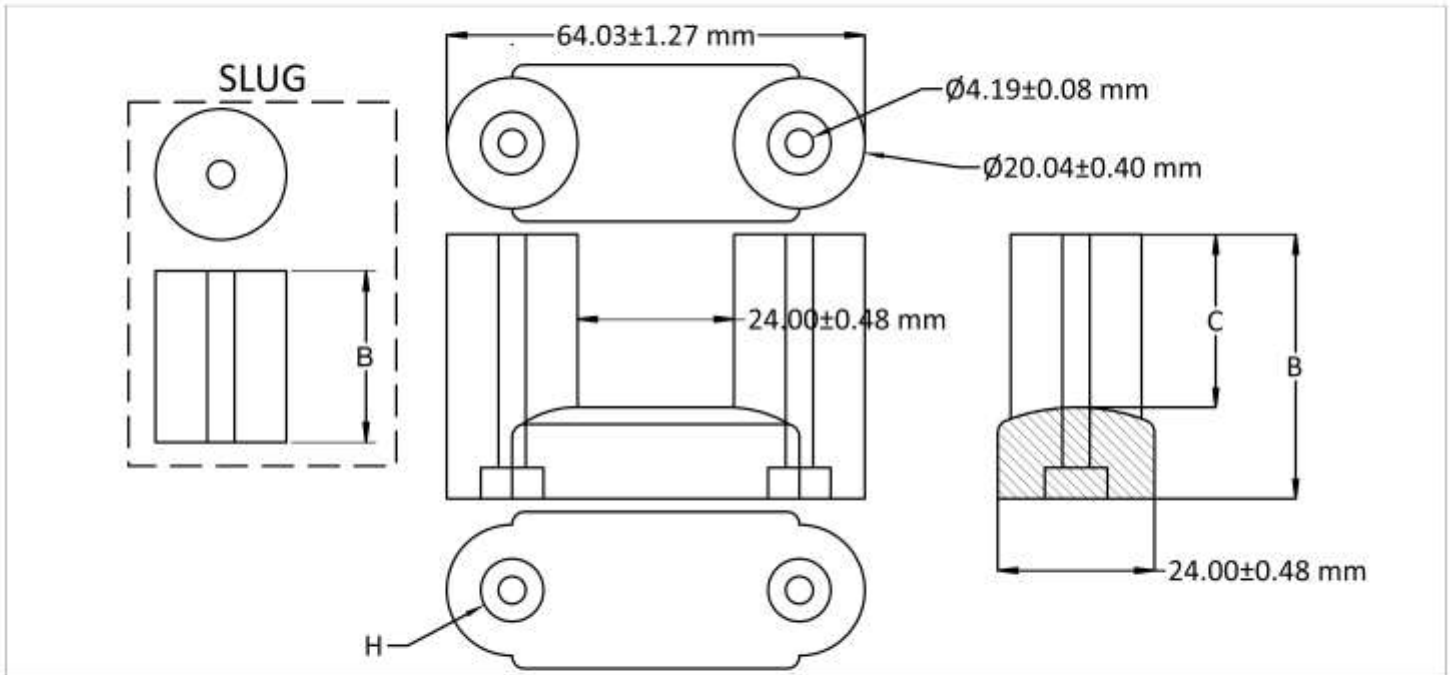


DIMENSIONS [mm]								
Catalog #	Name	Shape	B	+/- tol.	C	+/- tol.	F	+/- tol.
41-11-11		I-Bar	11.00	0.13	0.00			
41-21-11	UR41	UR	20.62	0.13	11.10	0.32		
41-22-11		UR	22.23	0.13	12.70	0.32		
41-25-11		UR	25.40	0.13	15.88	0.32		
41-30-11		UR	30.48	0.13	20.96	0.32		

EFFECTIVE CORE PARAMETERS								
Catalog #	Mate		L_e mm	A_e mm ²	V_e mm ³	W_a mm ²	$W_a A_e$ mm ⁴	Set Weight Grams
41-11-11								
41-21-11	41-21-11		122.1	100.0	12,210	422.9	42,291	31.10
41-22-11	41-22-11		128.5	100.0	12,850	483.9	48,387	33.73
41-25-11	41-25-11		134.8	100.0	13,480	605.0	60,503	40.45
41-30-11	41-30-11		155.1	100.0	15,510	798.6	79,858	62.05

AL value								
Catalog #	Mate	AL [nH] +/- 25%						
		7099	5099	N001	7070	8040	50ALL	
41-11-11								
41-21-11	41-21-11	2,047	2,047	2,047	2,265	3,089	3,089	
41-22-11	41-22-11	2,039	2,039	2,039	2,266	3,090	3,090	
41-25-11	41-25-11	1,845	1,845	1,845	2,050	2,795	2,795	
41-30-11	41-30-11	1,620	1,620	1,620	1,800	2,455	2,455	

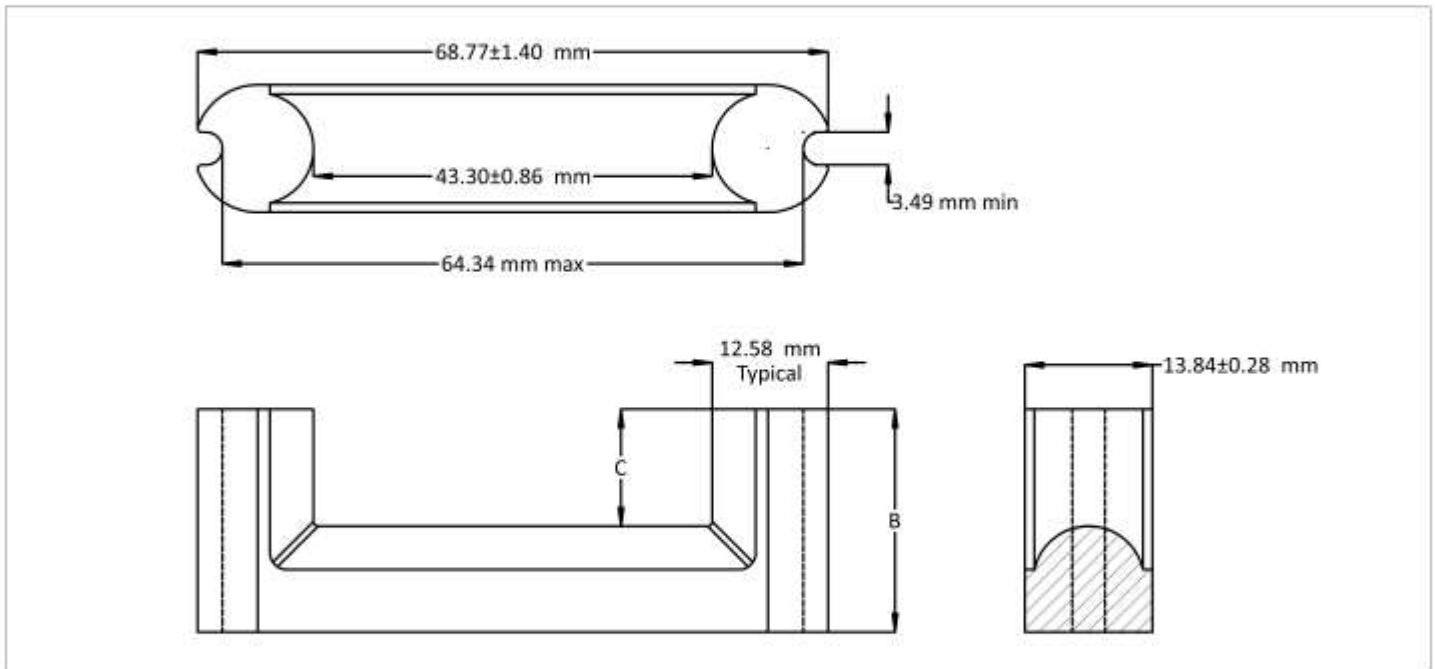
UR 64



DIMENSIONS [mm]								
Catalog #	Name	Shape	B	+/- tol.	C	+/- tol.	H	+/- tol.
20-04-10		Slug	9.63	0.13			0.00	
20-04-24		Slug	24.89	0.13			0.00	
64-15-24		I-BAR	15.00	0.13				
64-28-24		UR	27.99	0.13	13.99	0.41	9.40	MINIMUM
64-40-24		UR	40.49	0.13	26.49	0.41	9.40	MINIMUM
64-50-24		UR	49.40	0.13	35.40	0.41	4.19	0.08

EFFECTIVE CORE PARAMETERS								
Catalog #	Mate	L _e mm	A _{min} mm ²	A _e mm ²	V _e mm ³	W _a mm ²	W _a A _e mm ⁴	Set Weight Grams
20-04-10								
20-04-24								
64-15-24								
64-28-24	64-28-24	181.8	290.0	320.0	58,176	671.5	214,886	282.15
64-40-24	64-40-24	206.8	290.0	320.0	66,176	1,271.5	406,886	320.95
64-50-24	64-50-24	224.6	290.0	320.0	71,878	1,699.2	543,744	348.61

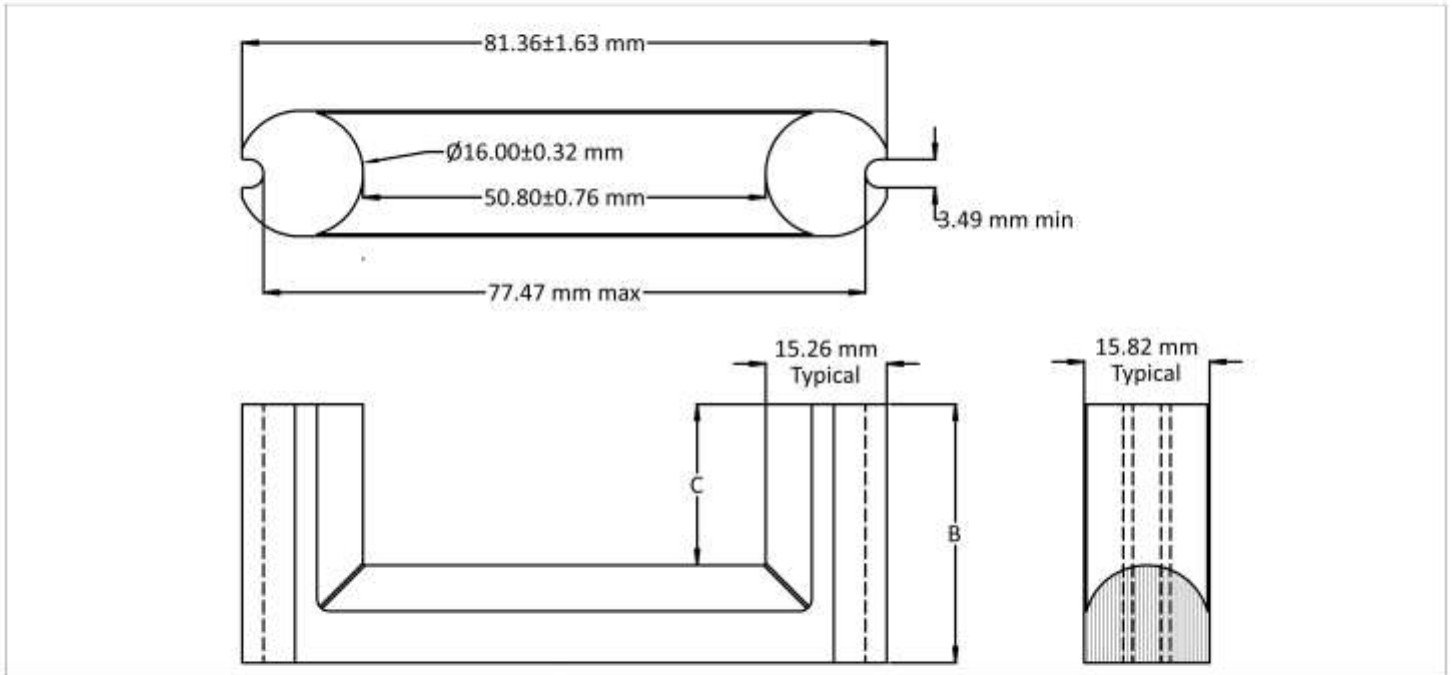
AL value								
Catalog #	Mate	AL [nH] +/- 25%						
		7099	5099	N001	7070	8040	50ALL	
20-04-10								
20-04-24								
64-15-24								
64-28-24	64-28-24	3,410	3,410	3,410	4,300	5,863	5,863	
64-40-24	64-40-24	3,410	3,410	3,410	3,780	5,155	5,155	
64-50-24	64-50-24	3,139	3,139	3,139	3,480	4,745	4,745	



DIMENSIONS [mm]								
Catalog #	Name	Shape	B	+/- tol.	C	+/- tol.	F	+/- tol.
69-13-14		I-Bar	12.50	0.13	1.00	0.36		
69-19-14		UR	18.50	0.13	7.00	0.36		
69-24-14	UR69	UR	24.20	0.13	12.70	0.36		

EFFECTIVE CORE PARAMETERS								
Catalog #	Mate		L _e mm	A _e mm ²	V _e mm ³	W _a mm ²	W _a A _e mm ⁴	Set Weight Grams
69-13-14								
69-19-14	69-19-14		156.0	138.7	21,633	606.2	84,080	114.22
69-24-14	69-24-14		178.7	139.7	24,964	1,099.8	153,645	131.00

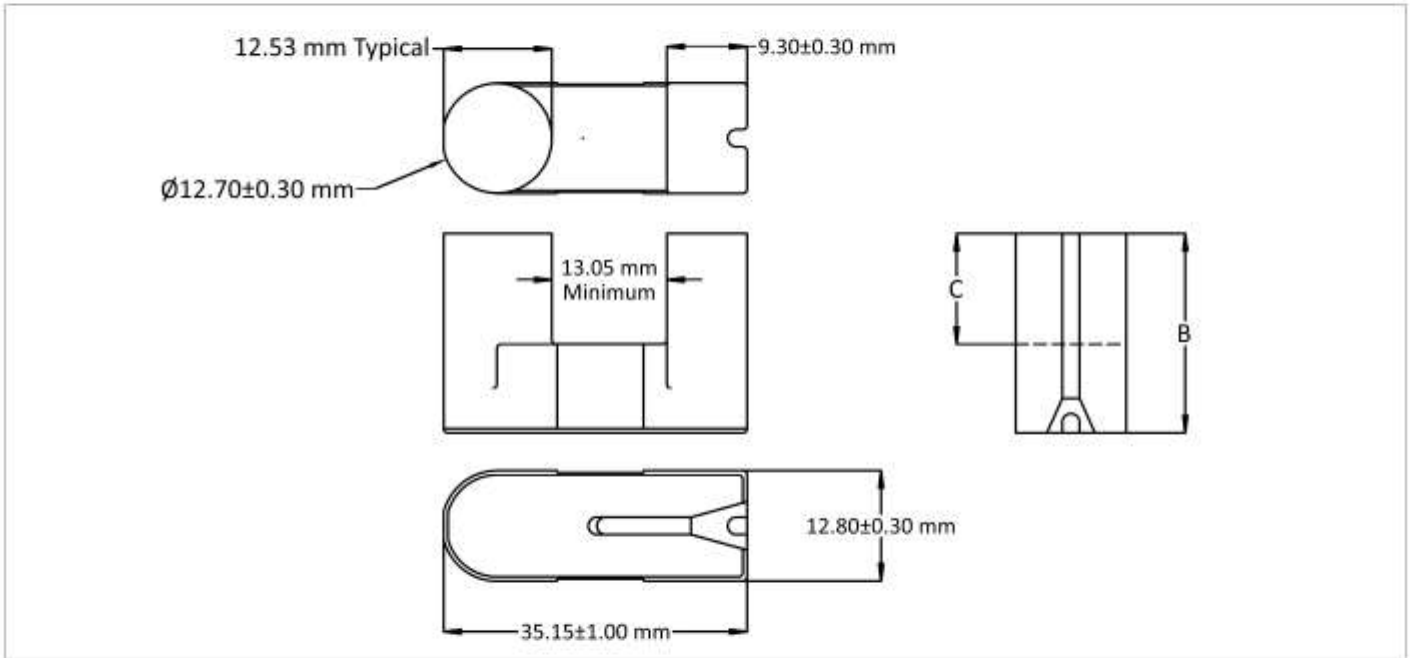
AL value								
Catalog #	Mate		AL [nH] +/- 25%					
			7099	5099	N001	7070	8040	
69-13-14								
69-19-14	69-19-14		2,234	2,234	2,234	2,458	3,017	3,017
69-24-14	69-24-14		2,100	2,100	2,100	2,332	2,864	2,864



DIMENSIONS [mm]							
Catalog #	Name	Shape	B	+/- tol.	C	+/- tol.	
81-13-16		I-Bar	12.70	0.13			
81-33-16		UR	32.64	0.13	19.05	0.25	
81-42-16		UR	41.58	0.13	29.26	0.25	
81-45-16		UR	44.60	0.13	31.01	0.25	

EFFECTIVE CORE PARAMETERS								
Catalog #	Mate	L_e mm	A_{min} mm ²	A_e mm ²	V_e mm ³	W_a mm ²	$W_a A_e$ mm ⁴	Set Weight Grams
81-13-16								
81-33-16	81-33-16	224.1		191.0	42,795	1,935	369,677	129.5
81-42-16	81-42-16	261.9		191.0	50,023	2,973	567,808	145.6
81-45-16	81-45-16	271.9		190.9	51,906	3,151	601,453	157.6

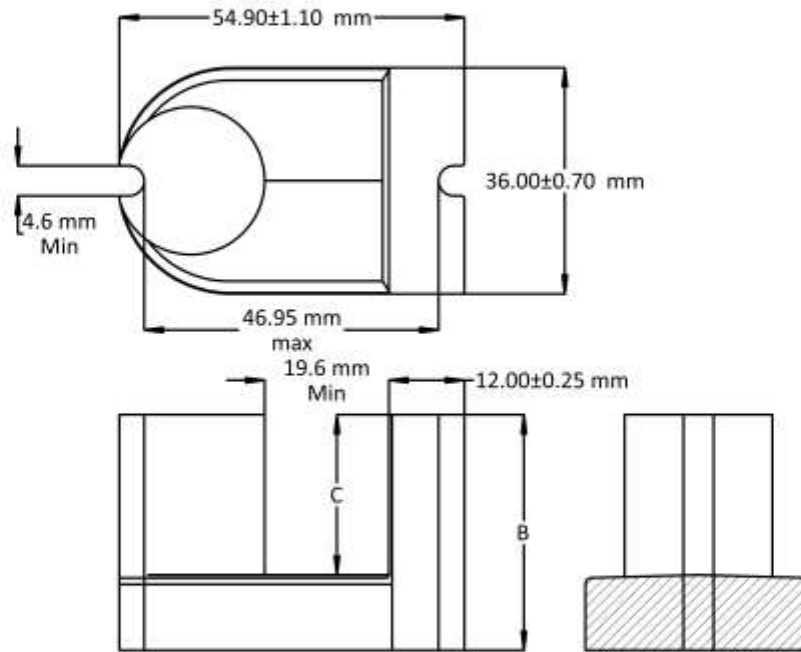
AL value								
Catalog #	Mate	AL [nH] +/- 25%						
		7099	5099	N001	7070	8040	50ALL	
81-13-16								
81-33-16	81-33-16	2,099	2,099	2,099	2,332	3,180	3,180	
81-42-16	81-42-16	2,088	2,088	2,088	2,320	3,164	3,164	
81-45-16	81-45-16	1,728	1,728	1,728	1,920	2,618	2,618	



DIMENSIONS [mm]								
Catalog #	Name	Shape	B	+/- tol.	C	+/- tol.	F	+/- tol.
35-26-13		URS	25.70	0.13	16.21	0.36		
35-30-13	URS35	URS	30.80	0.13	20.50	0.36		

EFFECTIVE CORE PARAMETERS								
Catalog #	Mate	L _e mm	A _{min} mm ²	A _e mm ²	V _e mm ³	W _a mm ²	W _a A _e mm ⁴	Set Weight Grams
35-26-13	35-26-13	122.0	112.0	120.0	14,640	435.0	52,203	64.59
35-30-13	35-30-13	141.0	112.0	120.0	17,000	550.2	66,018	75.00

AL value								
Catalog #	Mate	AL [nH] +/- 25%						
		7099	5099	N001	7070	8040	50ALL	
35-26-13	35-26-13	2,047	2,047	2,047	2,265	3,089	3,089	
35-30-13	35-30-13	1,771	1,771	1,771	1,960	2,672	2,672	

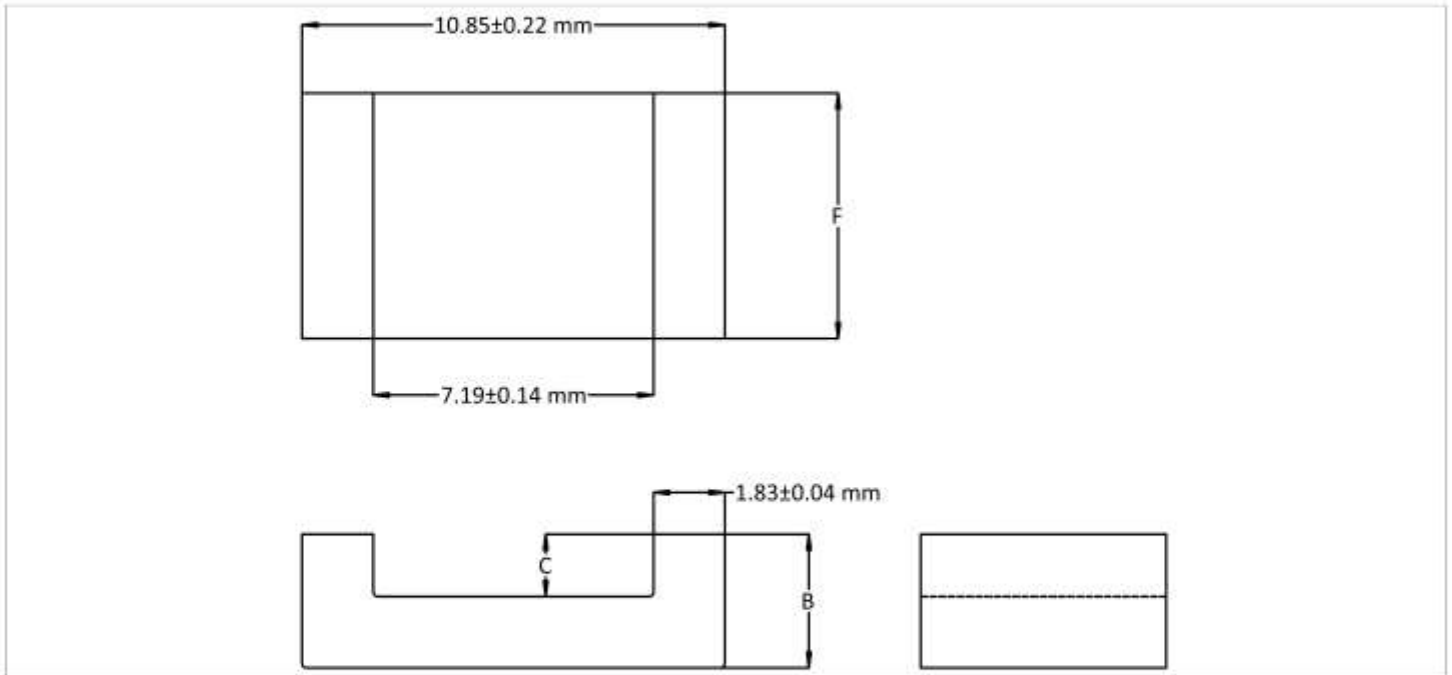


DIMENSIONS [mm]								
Catalog #	Name	Shape	B	+/- tol.	C	+/- tol.		
55-38-36		URS	37.64	0.25	25.60	0.40		
55-37-36	URS35	URS	37.50	0.25	25.50	0.40		

EFFECTIVE CORE PARAMETERS								
Catalog #	Mate	L_e mm	A_{min} mm ²	A_e mm ²	V_e mm ³	W_a mm ²	$W_a A_e$ mm ⁴	Set Weight Grams
55-38-36	55-38-36	187.5	411.0	418.0	78,375	1,003.5	419,471	398.94
55-37-36	55-37-36	188.0	411.0	418.0	78,584	999.6	417,833	400.00

AL value								
Catalog #	Mate	AL [nH] +/- 25%						
		7099	5099	N001	7070	8040	50ALL	
55-38-36	55-38-36	5,600	5,600	5,600	6,160	8,400	8,400	
55-37-36	55-37-36	5,585	5,585	5,585	6,144	8,378	8,378	

U 11

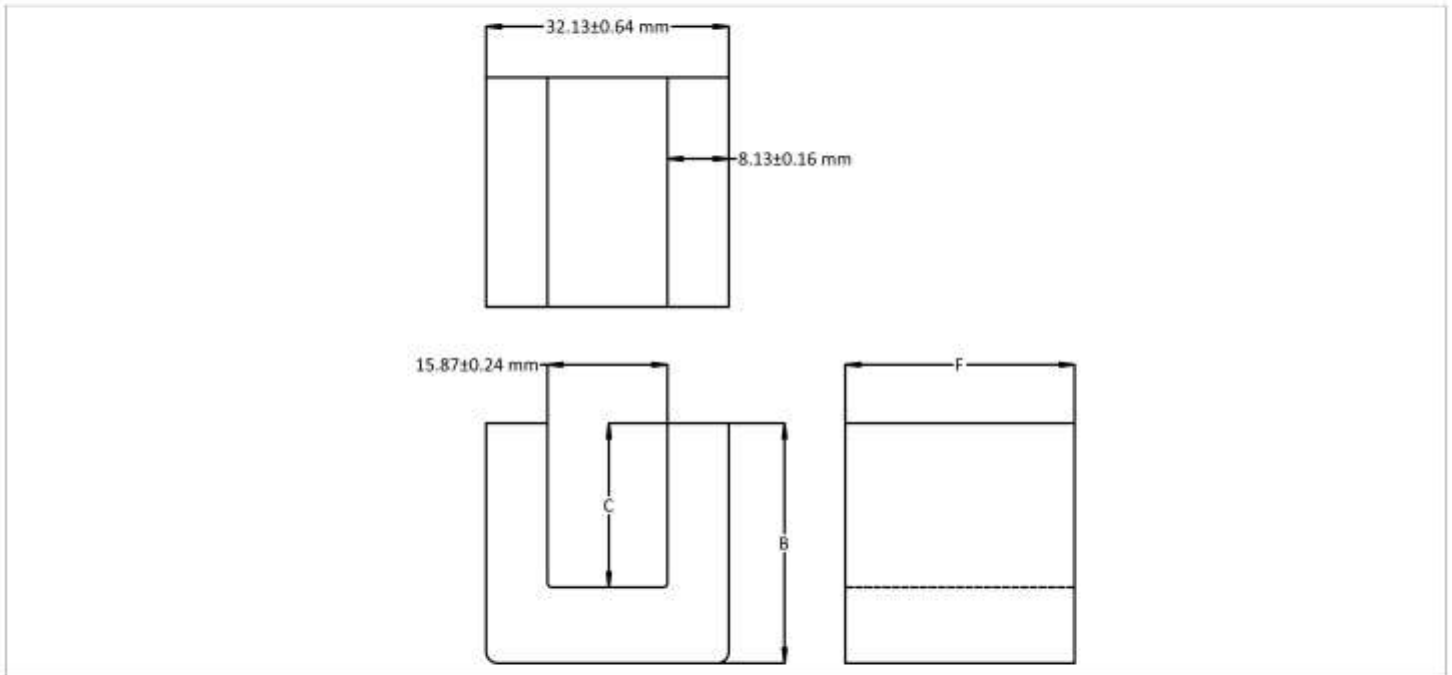


DIMENSIONS [mm]								
Catalog #	Name	Shape	B	+/- tol.	C	+/- tol.	F	+/- tol.
11-03-06	U11	U	3.43	0.13	1.60	0.13	6.30	0.13
11-03-03		U	3.43	0.13	1.60	0.13	3.18	0.13

EFFECTIVE CORE PARAMETERS								
Catalog #	Mate		L_e mm	A_e mm ²	V_e mm ³	W_a mm ²	$W_a A_e$ mm ⁴	Set Weight Grams
11-03-06	11-03-06		26.5	11.5	305	23.0	265	1.43
11-03-03	11-03-03		26.5	5.8	152	23.0	132	0.72

AL value								
Catalog #	Mate		7099	5099	AL [nH] +/- 25%			
					N001	7070	8040	50ALL
11-03-06	11-03-06		1,092	1,092	1,092	1,201	1,638	1,638
11-03-03	11-03-03		546	546	546	601	819	819

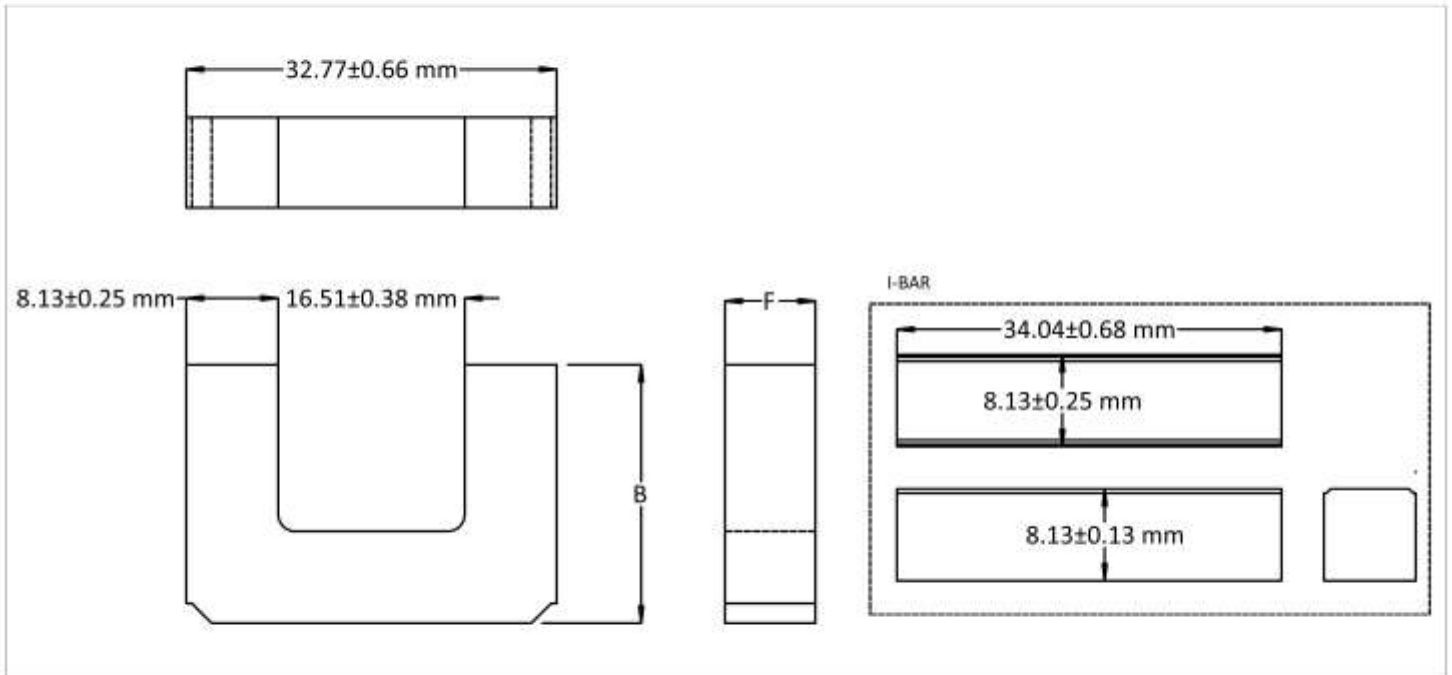
U 32



DIMENSIONS [mm]								
Catalog #	Name	Shape	B	+/- tol.	C	+/- tol.	F	+/- tol.
32-32-30	U32	U	31.75	0.25	21.72	0.25	30.35	0.61

EFFECTIVE CORE PARAMETERS								
Catalog #	Mate		L_e mm	A_e mm ²	V_e mm ³	W_a mm ²	$W_a A_e$ mm ⁴	Set Weight Grams
32-32-30	32-32-30		142.5	304.4	43,377	689.4	209,851	203.87

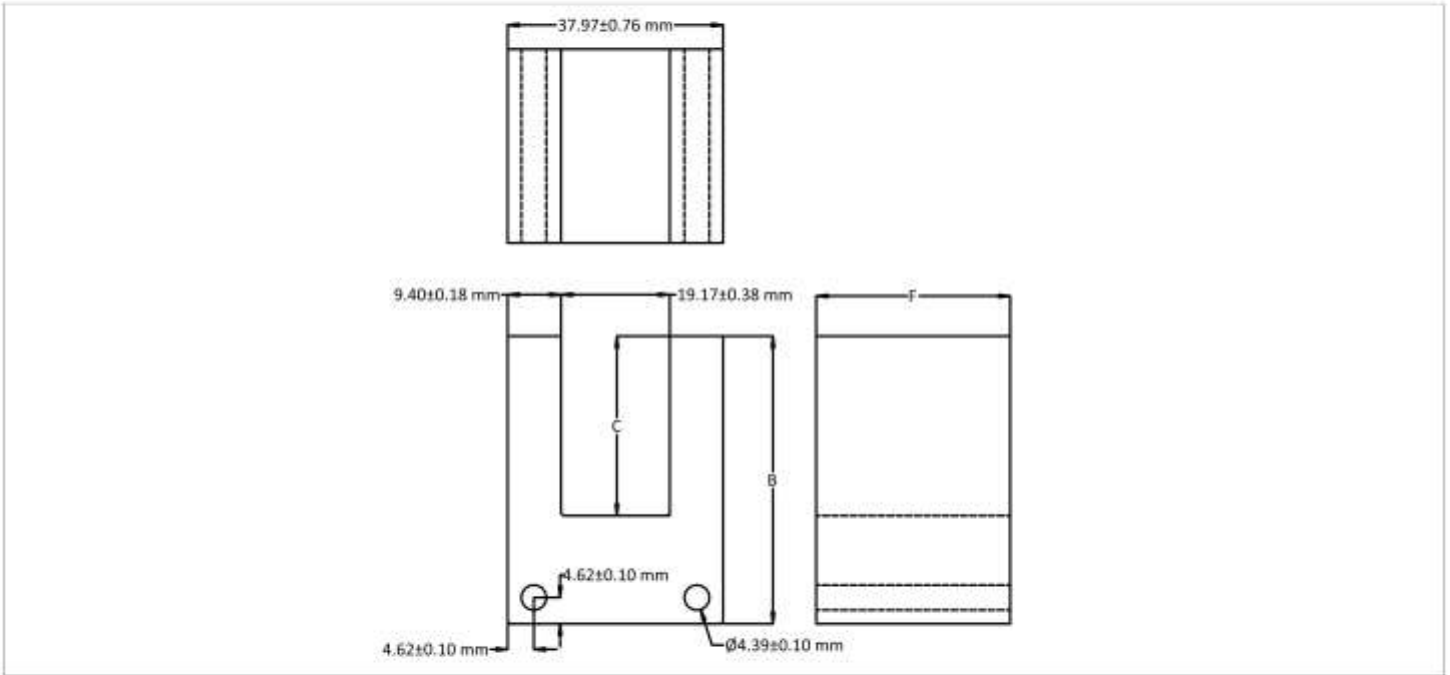
AL value								
Catalog #	Mate		7099	5099	N001	7070	8040	50ALL
32-32-30	32-32-30		5,368	5,368	5,368	5,905	8,052	8,052



DIMENSIONS [mm]								
Catalog #	Name	Shape	B	+/- tol.	C	+/- tol.	F	+/- tol.
33-08-08		I-Bar	8.13	0.13				
33-23-08		U	22.86	0.13	14.73	0.25	8.00	0.13

EFFECTIVE CORE PARAMETERS								
Catalog #	Mate		L_e mm	A_e mm ²	V_e mm ³	W_a mm ²	$W_a A_e$ mm ⁴	Set Weight Grams
33-08-08	33-23-08		88.0	65.0	5,723	243.2	15,807	33.62
33-23-08	33-23-08		117.5	65.0	7,638	486.4	31,615	44.87

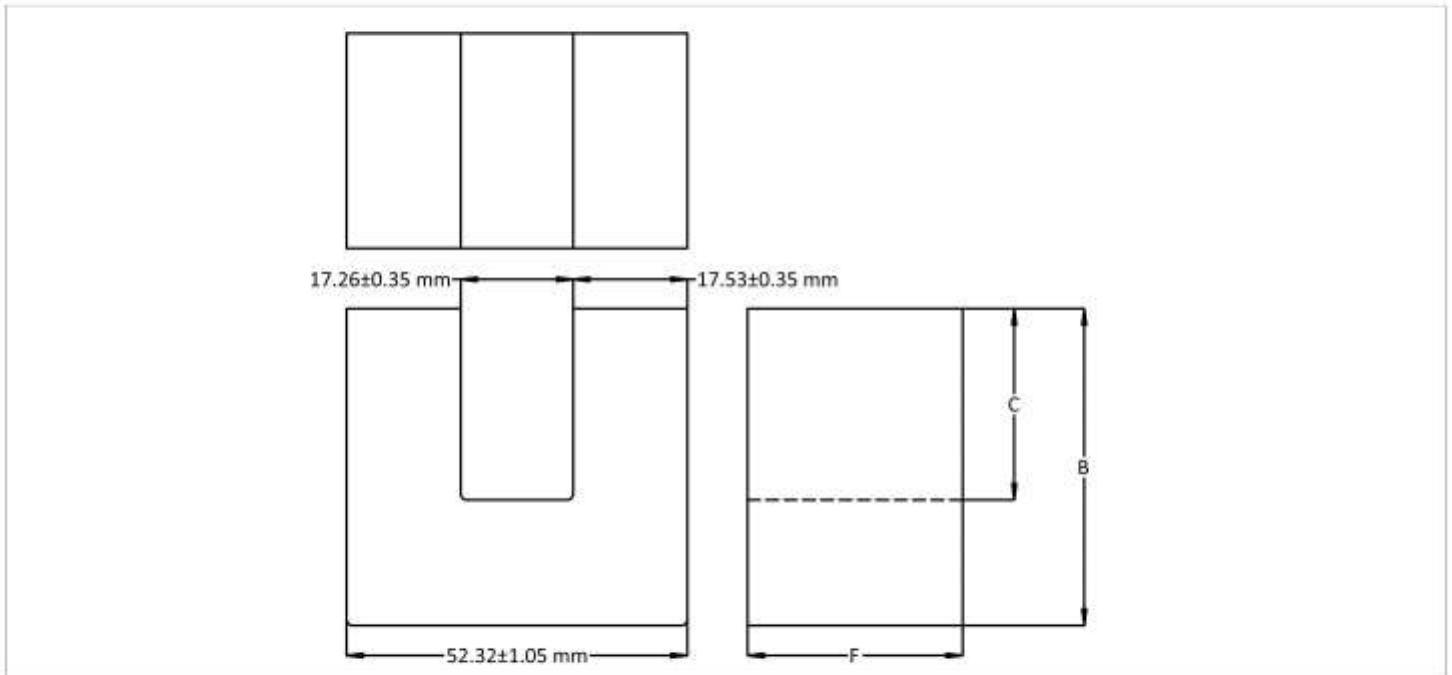
AL value								
Catalog #	Mate		AL [nH] +/- 25%					
			7099	5099	N001	7070	8040	50ALL
33-08-08	33-23-08		2,080	2,080	2,080	2,288	3,120	3,120
33-23-08	33-23-08		1,530	1,530	1,530	1,683	2,295	2,295



DIMENSIONS [mm]								
Catalog #	Name	Shape	B	+/- tol.	C	+/- tol.	F	+/- tol.
38-51-34	U38	U	50.67	1.02	31.62	0.64	34.16	0.69

EFFECTIVE CORE PARAMETERS								
Catalog #	Mate		L_e mm	A_e mm ²	V_e mm ³	W_a mm ²	$W_a A_e$ mm ⁴	Set Weight Grams
38-51-34	38-51-34		254.4	321.1	81,688	1,212.9	389,462	392.10

AL value								
Catalog #	Mate		7099	5099	AL [nH] +/- 25%		8040	50ALL
					N001	7070		
38-51-34	38-51-34							

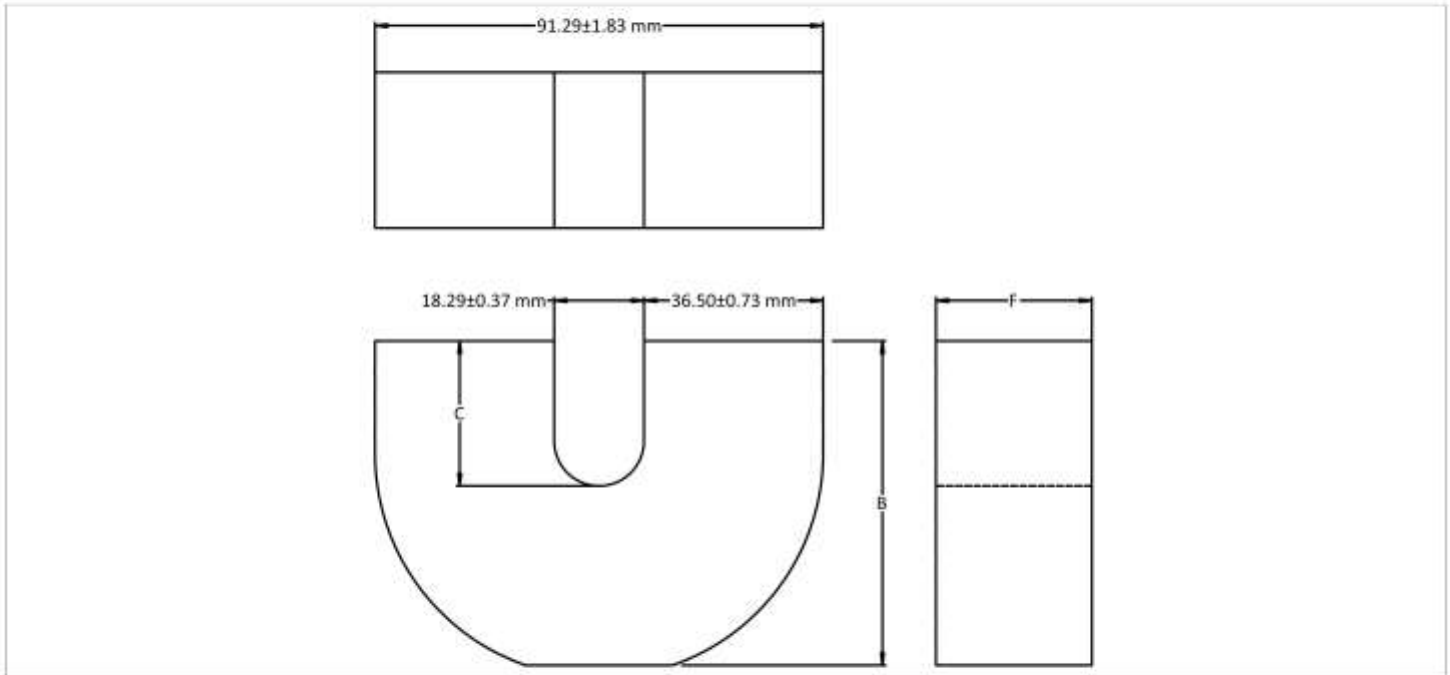


DIMENSIONS [mm]								
Catalog #	Name	Shape	B	+/- tol.	C	+/- tol.	F	+/- tol.
52-49-33	U52	U	48.64	0.38	29.36	0.25	33.02	0.66
52-49-16		U	48.64	0.38	29.36	0.25	16.00	0.66

EFFECTIVE CORE PARAMETERS								
Catalog #	Mate		L _e mm	A _e mm ²	V _e mm ³	W _a mm ²	W _a A _e mm ⁴	Set Weight Grams
52-49-33	52-49-33		209.5	594.8	124,611	1,014.0	603,127	327.00
52-49-16	52-49-16		209.5	297.4	62,305	1,014.0	301,564	163.50

AL value								
Catalog #	Mate		AL [nH] +/- 25%					
			7099	5099	N001	7070	8040	
52-49-33	52-49-33		7,134	7,134	7,134	7,848	10,701	10,701
52-49-16	52-49-16		3,549	3,549	3,549	3,904	5,324	5,324

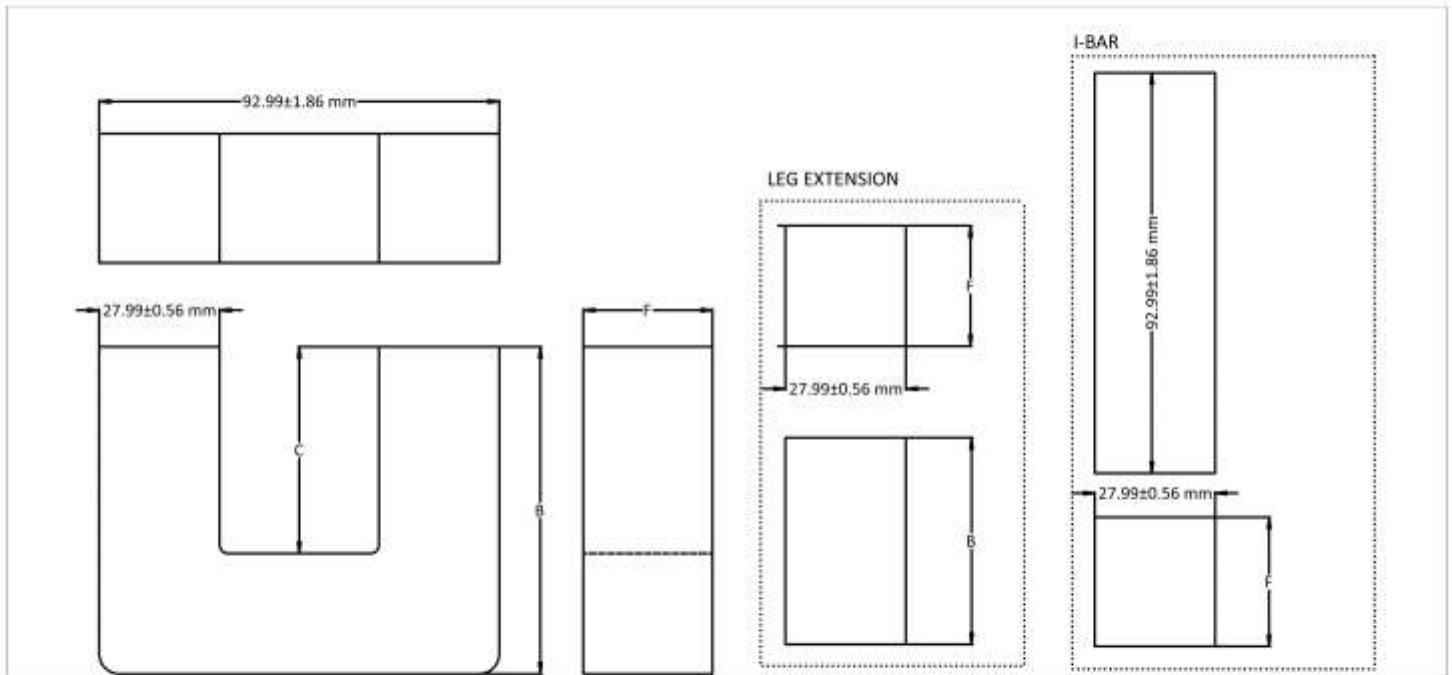
U 91



DIMENSIONS [mm]								
Catalog #	Name	Shape	B	+/- tol.	C	+/- tol.	F	+/- tol.
91-66-16		U	66.04	0.13	29.51	0.13	15.88	0.32
91-66-32	U91	U	66.04	0.13	29.51	0.13	31.75	0.64

EFFECTIVE CORE PARAMETERS								
Catalog #	Mate		L_e mm	A_e mm ²	V_e mm ³	W_a mm ²	$W_a A_e$ mm ⁴	Set Weight Grams
91-66-16	91-66-16		269.3	579.8	156,140	1,079.5	625,894	846.00
91-66-32	91-66-32		269.3	1,159.2	312,173	1,079.5	1,251,356	1690.00

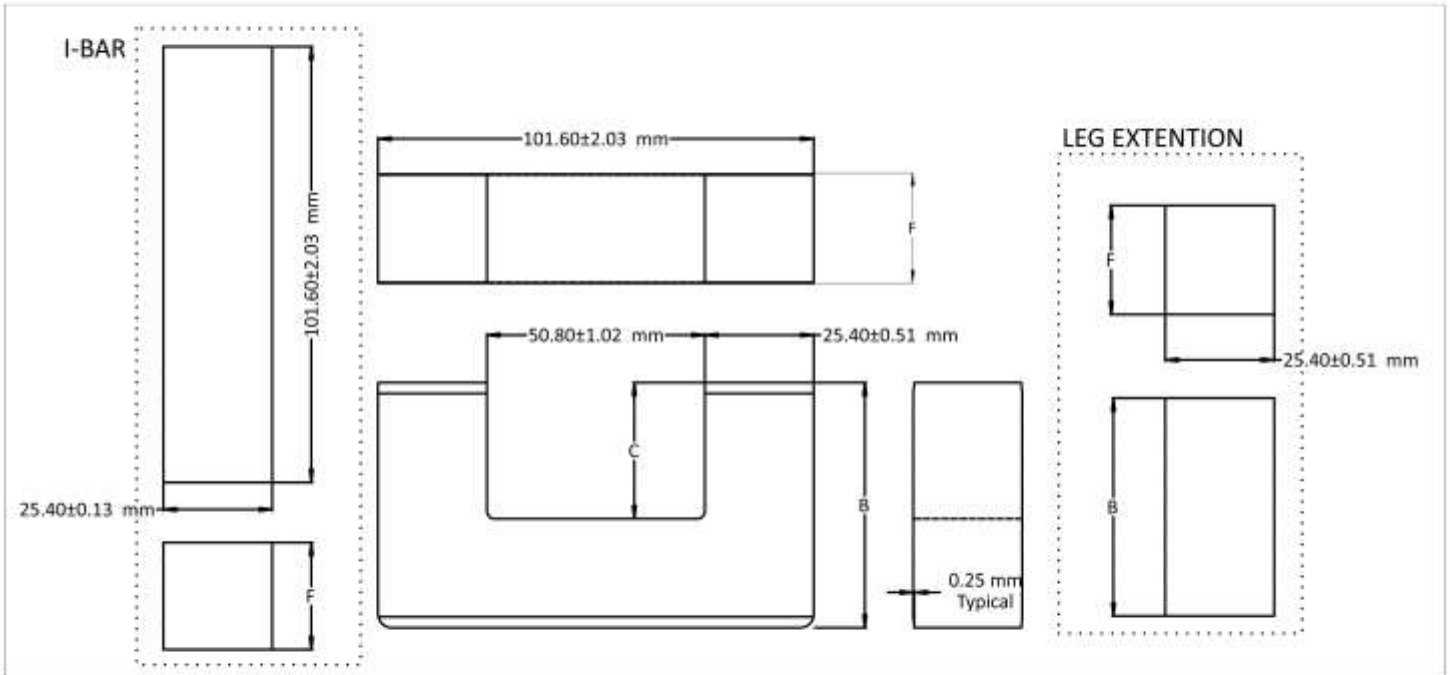
AL value								
Catalog #	Mate		AL [nH] +/- 25%					
			7099	5099	N001	7070	8040	
91-66-16	91-66-16		5,410	5,410	5,410	5,951	8,115	8,115
91-66-32	91-66-32		10,817	10,817	10,817	11,899	16,226	16,226



DIMENSIONS [mm]								
Catalog #	Name	Shape	B	+/- tol.	C	+/- tol.	F	+/- tol.
28-13-30		Extension	13.34	0.13			30.00	0.60
93-28-30	I-93	I-Bar						
93-52-30		U	52.37	0.13	24.38	0.56	30.00	0.60
93-76-16		U	76.00	0.13	48.01	0.56	16.00	0.30
93-76-30	U93	U	76.00	0.13	48.01	0.56	30.00	0.60

EFFECTIVE CORE PARAMETERS								
Catalog #	Mate		L_e mm	A_e mm ²	V_e mm ³	W_a mm ²	$W_a A_e$ mm ⁴	Set Weight Grams
93-52-30	93-52-30		259.5	839.7	217,899	1,804.9	468,365	1128.88
93-76-16	93-76-16		354.0	419.9	148,627	3,553.7	1,258,010	770.00
93-76-30	93-76-30		354.0	839.7	297,254	3,553.7	1,258,010	1540.00

AL value								
Catalog #	Mate		AL [nH] +/- 25%					
			7099	5099	N001	7070	8040	
93-52-30	93-52-30		8,000	8,000	8,000	8,998	12,270	12,270
93-76-16	93-76-16		3,122	3,122	3,122	3,496	4,394	4,394
93-76-30	93-76-30		5,860	5,860	5,860	6,558	8,943	8,943



DIMENSIONS [mm]								
Catalog #	Name	Shape	B	+/- tol.	C	+/- tol.	F	+/- tol.
25-25-25		Extension	25.40	0.13			25.40	0.51
102-25-25		I-Bar					25.40	0.51
102-41-25		U	41.28	0.25	15.88	0.51	25.40	0.51
102-57-25	U102	U	57.15	0.25	31.75	0.56	25.40	0.51

EFFECTIVE CORE PARAMETERS								
Catalog #	Mate		L_e mm	A_e mm ²	V_e mm ³	W_a mm ²	$W_a A_e$ mm ⁴	Set Weight Grams
25-25-25								
102-25-25								
102-41-25	102-41-25		244.9	645.2	158,022	1,613.4	395,156	818.68
102-57-25	102-57-25		308.4	645.2	198,980	3,225.8	994,837	1030.87

AL value								
Catalog #	Mate	AL [nH] +/- 25%						
		7099	5099	N001	7070	8040	50ALL	
25-25-25								
102-25-25								
102-41-25	102-41-25	6,573	6,573	6,573	7,229	9,859	9,859	
102-57-25	102-57-25	5,258	5,258	5,258	5,783	7,887	7,887	

CUSTOM U-CORES

We currently run dozens of custom U-Core tools we have built for specific purposes to meet our customer needs. Let us know what you require we may be able to develop something special.

OTHER U-CORES

We have acquired at auction, thousands of assets of Stack-Pole (PA USA), Hagy Ferrite (Hungary), AVX-Thompson (France), Magnetics Inc (AK USA). If you are in need of a core formally supplied we maybe able to make it for you, tooling may require modification to run our equipment.

CONTACT

Sales@tscinternational.com

39105 Magnetic Blvd

Wadsworth, IL. 60083

Tel: 847 249-4900

Fax: 847 249-4988

Website: www.tscinternational.com

Store: www.tscinternational.net

History

Ferrite International was established 1985 as a division of Tempel Steel Company and was purchased in 1990 by Tempel Smith.

Quality Policy

To provide the highest value magnetic materials to our customers through a combination of exceptional quality, price, delivery and service.

Ferrite International is compliant to ISO 9000 1994.

International Environmental Regulatory Compliance

RoHS * REACH * ELV * WEEE * Halogen Free

Social Accountability Compliance

US Family and Medical Leave Act	US Fair Labor Standards Act
US Environmental Protection Agency	US Occupational Safety and Health Administration
US Clean Air Act	US Equal Employment Opportunity Commission
US National Primary Drinking Water Regulation	US Conflict Free Minerals

Warranty / Disclaimer

"TSC International" expressly warrants to the "Buyer" for whom it manufactures, sells and delivers product made of magnetic materials will conform to specifications and drawings as published within the product catalog. Buyer specifications that have not been approved by the International Electronic Commission shall be considered as a custom product, and will be warranted by TSC International in a separate written agreement.

There are no other express or implied warranties which extend beyond the above-referenced warranty of conformance to the specifications and specifically. TSC International does not warrant that any product will be merchantable or fit for the particular purpose for which the purchaser, its successors, agents or affiliates, intends to use product. Before using these products, buyer agrees to determine suitability of the product for their intended use or application.

Buyer shall notify TSC International in writing (and reasonable detail) of any defect in any product within thirty (30) days after the delivery date thereof. If products do not conform to the specification and TSC determines to its satisfaction that the parts are defective, and the defect is not due to miss-use, accident or improper application, buyer's remedy shall be limited, at TSC international's sole discretion, to either (1) The return of such product in exchange for the return of, or credit for any payment received by TSC International relating thereto; (2) The replacement of such product; or (3) The repair of such product. TSC International shall pay reasonable shipping costs incurred in connection with the return, replacement or repair of any defective product. Solution to resolve defective product shall be within (60) days after written receipt of written notice from the buyer of such defect.

TSC International shall not be liable for any incidental or consequential loss, damage, or expense (including without limitation, economic loss or lost profits) of buyer for any defective product sold and delivered to the buyer regardless or whether such loss, damage or expense results from breach of contract or warranty or commission of tort (including, without limitation, strict liability or negligence).

These products are not designed for use in life support appliances, devices or systems where malfunction of these products can reasonably be expected to result in personal injury, Buyers that are using or selling these products for use in such applications do so at their own risk and agree to indemnify TSC International for any damages resulting from such application.

TSC International reserves the right to makes changes without notice in order to improve design and supply the best possible product.