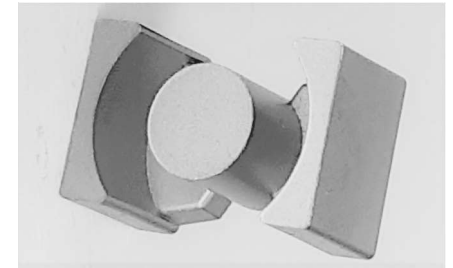
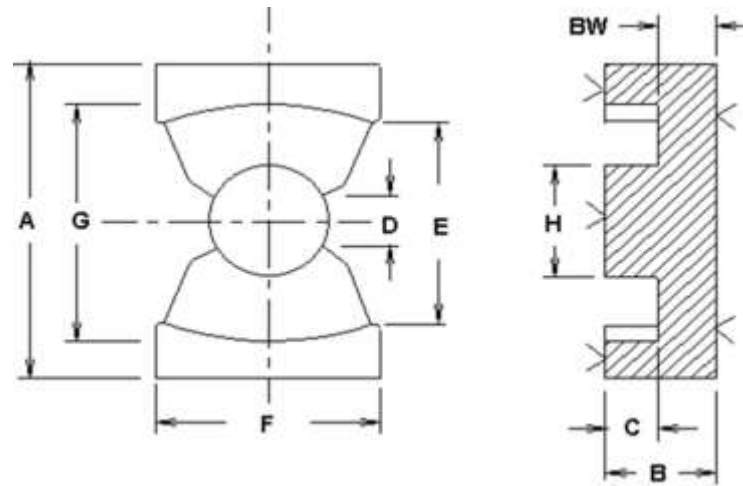


Contents	Page
<a href="#">PQ 20</a>	2
<a href="#">PQ 26</a>	3
<a href="#">PQ 32</a>	4
<a href="#">PQ 35</a>	5
<a href="#">PQ 40</a>	6
<a href="#">PQ 50</a>	7
<a href="#">Contacts</a>	8
<a href="#">Information</a>	9

PQ 20



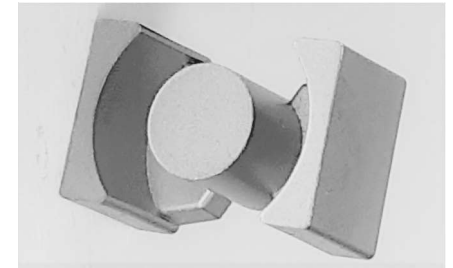
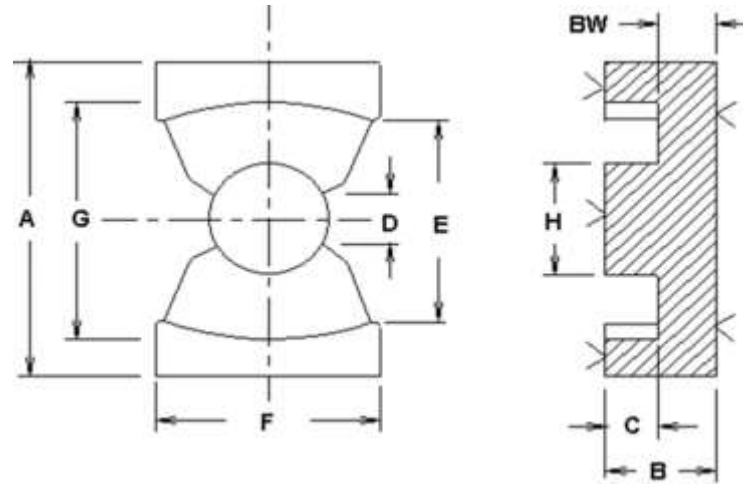
Catalog #	Dimensions [mm]							
	A	+/- tol.	B	+/- tol.	C	+/- tol.	D	+/- tol.
20-16-00	21.26	0.43	8.10	0.13	5.16	0.19	4.10	min
20-20-00			10.11		7.16			

Catalog #	Dimensions [mm]							
	E	+/- tol.	F	+/- tol.	G	+/- tol.	H	+/- tol.
20-16-00	11.99	min	14.00	0.28	18.01	0.36	8.84	0.18
20-20-00								

Catalog #	L <sub>e</sub> mm	A <sub>e</sub> mm <sup>2</sup>	V <sub>e</sub> mm <sup>3</sup>	W <sub>a</sub> mm <sup>2</sup>	W <sub>a</sub> A <sub>e</sub> mm <sup>4</sup>	Weight Grams
20-16-00	37.40	62.00	2319	47.32	2934	11.25
20-20-00	45.40	62.00	2815	65.66	4071	13.65

Catalog #	AL value +/- 25%				
	5099 7099 N001	7070	8040 50ALL	5kHF 5000	7000
20-16-00	3295	3625	4943		
20-20-00	2720	2992	4080		

PQ 26



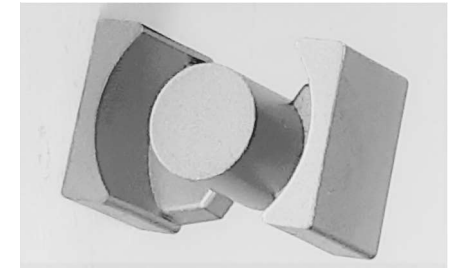
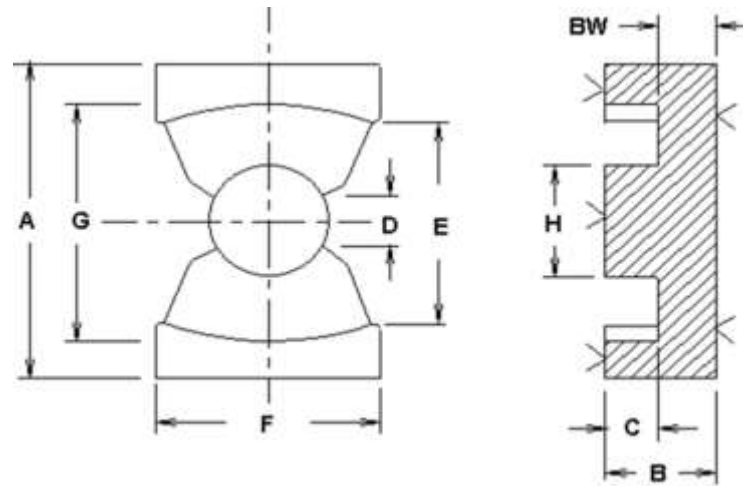
Catalog #	Dimensions [mm]							
	A	+/- tol.	B	+/- tol.	C	+/- tol.	D	+/- tol.
26-20-00	27.25	0.55	10.08	0.13	5.74	0.21	5.99	min
26-25-00			12.37		8.05			

Catalog #	Dimensions [mm]							
	E	+/- tol.	F	+/- tol.	G	+/- tol.	H	+/- tol.
26-20-00	15.49	min	19.00	0.38	22.50	0.45	11.99	0.24
26-25-00								

Catalog #	L <sub>e</sub> mm	A <sub>e</sub> mm <sup>2</sup>	V <sub>e</sub> mm <sup>3</sup>	W <sub>a</sub> mm <sup>2</sup>	W <sub>a</sub> A <sub>e</sub> mm <sup>4</sup>	Weight Grams
26-20-00	46.30	119.00	5510	60.33	7179	26.72
26-25-00	55.50	118.00	6549	84.61	9983	31.76

Catalog #	AL value +/- 25%				
	5099 7099 N001	7070	8040 50ALL	5kHF 5000	7000
26-20-00	5675	6243	8513		
26-25-00	4690	5159	7035		

PQ 32



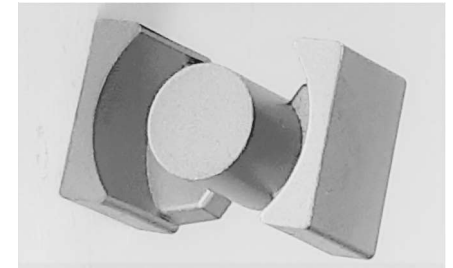
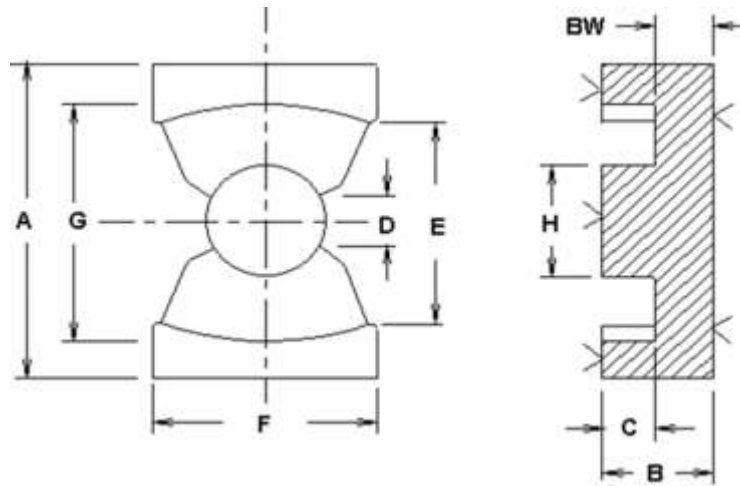
Catalog #	Dimensions [mm]							
	A	+/- tol.	B	+/- tol.	C	+/- tol.	D	+/- tol.
32-20-00	33.02	0.66	10.29	0.13	5.74	0.22	5.49	min
32-30-00			15.16		10.64			

Catalog #	Dimensions [mm]							
	E	+/- tol.	F	+/- tol.	G	+/- tol.	H	+/- tol.
32-20-00	19.00	min	22.00	0.44	27.51	0.55	13.46	0.27
32-30-00								

Catalog #	L <sub>e</sub> mm	A <sub>e</sub> mm <sup>2</sup>	V <sub>e</sub> mm <sup>3</sup>	W <sub>a</sub> mm <sup>2</sup>	W <sub>a</sub> A <sub>e</sub> mm <sup>4</sup>	Weight Grams
32-20-00	55.50	170.00	9435	80.65	13710	45.76
32-30-00	74.60	161.00	12011	149.49	24068	58.25

Catalog #	AL value +/- 25%				
	5099 7099 N001	7070	8040 50ALL	5kHF 5000	7000
32-20-00	7215	7937	10823		
32-30-00	4760	5236	7140		

PQ 35



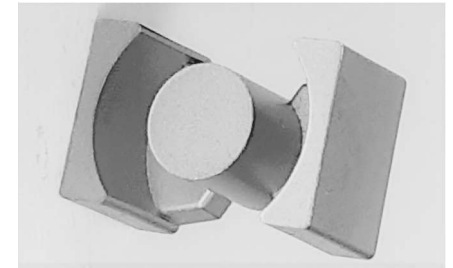
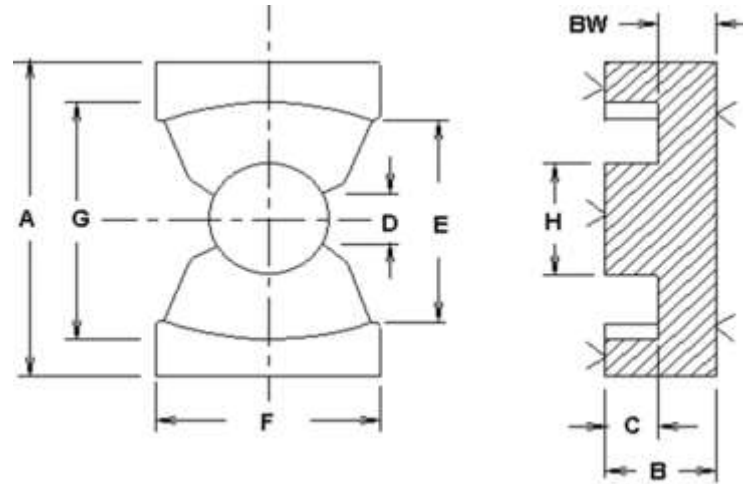
Catalog #	Dimensions [mm]							
	A	+/- tol.	B	+/- tol.	C	+/- tol.	D	+/- tol.
35-35-00	36.12	0.72	17.37	0.13	12.50	0.22	5.97	min

Catalog #	Dimensions [mm]							
	E	+/- tol.	F	+/- tol.	G	+/- tol.	H	+/- tol.
35-35-00	23.50	min	26.01	0.52	32.00	0.64	14.35	0.29

Catalog #	L <sub>e</sub> mm	A <sub>e</sub> mm <sup>2</sup>	V <sub>e</sub> mm <sup>3</sup>	W <sub>a</sub> mm <sup>2</sup>	W <sub>a</sub> A <sub>e</sub> mm <sup>4</sup>	Weight Grams
35-35-00	87.90	196.00	17228	220.63	43243	83.56

Catalog #	AL value +/- 25%				
	5099 7099 N001	7070	8040 50ALL	5kHF 5000	7000
35-35-00	4915	5407	7373		

PQ 40



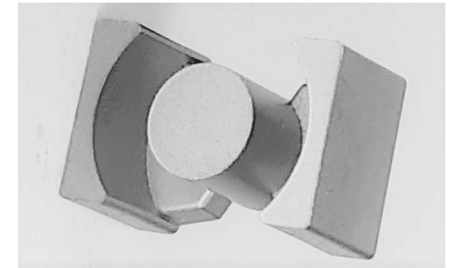
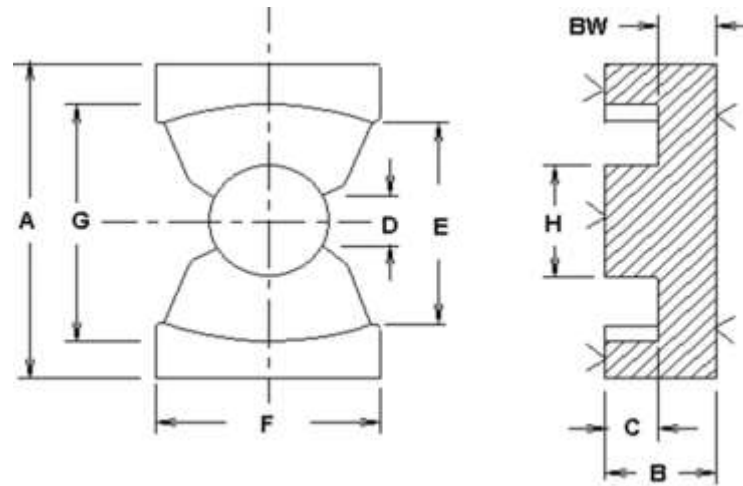
Catalog #	Dimensions [mm]							
	A	+/- tol.	B	+/- tol.	C	+/- tol.	D	+/- tol.
40-40-00	41.48	0.83	19.86	0.13	14.76	0.22	6.35	min

Catalog #	Dimensions [mm]							
	E	+/- tol.	F	+/- tol.	G	+/- tol.	H	+/- tol.
40-40-00	27.99	min	27.99	0.56	37.01	0.74	14.91	0.30

Catalog #	L <sub>e</sub> mm	A <sub>e</sub> mm <sup>2</sup>	V <sub>e</sub> mm <sup>3</sup>	W <sub>a</sub> mm <sup>2</sup>	W <sub>a</sub> A <sub>e</sub> mm <sup>4</sup>	Weight Grams
40-40-00	101.90	201.00	20482	326.20	65565	99.34

Catalog #	AL value +/- 25%				
	5099 7099 N001	7070	8040 50ALL	5kHF 5000	7000
40-40-00	4640	5104	6960		

PQ 50



Catalog #	Dimensions [mm]							
	A	+/- tol.	B	+/- tol.	C	+/- tol.	D	+/- tol.
50-50-00	51.00	1.02	25.00	0.13	18.05	0.22	8.15	min

Catalog #	Dimensions [mm]							
	E	+/- tol.	F	+/- tol.	G	+/- tol.	H	+/- tol.
50-50-00	32.00	min	32.00	0.64	44.00	0.88	20.00	0.40

Catalog #	L <sub>e</sub> mm	A <sub>e</sub> mm <sup>2</sup>	V <sub>e</sub> mm <sup>3</sup>	W <sub>a</sub> mm <sup>2</sup>	W <sub>a</sub> A <sub>e</sub> mm <sup>4</sup>	Weight Grams
50-50-00	113.20	327.70	37096	433.20	141960	179.91

Catalog #	AL value +/- 25%				
	5099 7099 N001	7070	8040 50ALL	5kHF 5000	7000
50-50-00	CALL				

CONTACT

[Sales@tscinternational.com](mailto:Sales@tscinternational.com)

39105 Magnetic Blvd

Wadsworth, IL. 60083

Tel: 847 249-4900

Fax: 847 249-4988

Website: [www.tscinternational.com](http://www.tscinternational.com)

Store: [www.tscinternational.net](http://www.tscinternational.net)

**TSC INTERNATIONAL FAMILY OF COMPANIES**

TSC  
**BOURGEOIS**  
SOFT MAGNETIC LAMINATIONS

**F FERRITE**  
INTERNATIONAL  
COMPANY  
Mn Zn FERRITE CORES

**Pyroferric**  
IRON POWDER CORES



History

Ferrite International was established 1985 as a division of Tempel Steel Company and was purchased in 1990 by Tempel Smith.

Quality Policy

To provide the highest value magnetic materials to our customers through a combination of exceptional quality, price, delivery and service.

Ferrite International is compliant to ISO 9000 1994.

International Environmental Regulatory Compliance

RoHS \* REACH \* ELV \* WEEE \* Halogen Free

Social Accountability Compliance

US Family and Medical Leave Act  
US Environmental Protection Agency  
US Clean Air Act  
US National Primary Drinking Water Regulation

US Fair Labor Standards Act  
US Occupational Safety and Health Administration  
US Equal Employment Opportunity Commission  
US Conflict Free Minerals

Warranty / Disclaimer

"TSC International" expressly warrants to the "Buyer" for whom it manufactures, sells and delivers product made of magnetic materials will conform to specifications and drawings as published within the product catalog. Buyer specifications that have not been approved by the International Electronic Commission shall be considered as a custom product, and will be warranted by TSC International in a separate written agreement.

There are no other express or implied warranties which extend beyond the above-referenced warranty of conformance to the specifications and specifically. TSC International does not warrant that any product will be merchantable or fit for the particular purpose for which the purchaser, its successors, agents or affiliates, intends to use product. Before using these products, buyer agrees to determine suitability of the product for their intended use or application.

Buyer shall notify TSC International in writing (and reasonable detail) of any defect in any product within thirty (30) days after the delivery date thereof. If products do not conform to the specification and TSC determines to its satisfaction that the parts are defective, and the defect is not due to miss-use, accident or improper application, buyer's remedy shall be limited, at TSC International's sole discretion, to either (1) The return of such product in exchange for the return of, or credit for any payment received by TSC International relating thereto; (2) The replacement of such product; or (3) The repair of such product. TSC International shall pay reasonable shipping costs incurred in connection with the return, replacement or repair of any defective product. Solution to resolve defective product shall be within (60) days after written receipt of written notice from the buyer of such defect.

TSC International shall not be liable for any incidental or consequential loss, damage, or expense (including without limitation, economic loss or lost profits) of buyer for any defective product sold and delivered to the buyer regardless or whether such loss, damage or expense results from breach of contract or warranty or commission of tort (including, without limitation, strict liability or negligence).

These products are not designed for use in life support appliances, devices or systems where malfunction of these products can reasonably be expected to result in personal injury, Buyers that are using or selling these products for use in such applications do so at their own risk and agree to indemnify TSC International for any damages resulting from such application.

TSC International reserves the right to makes changes without notice in order to improve design and supply the best possible product.