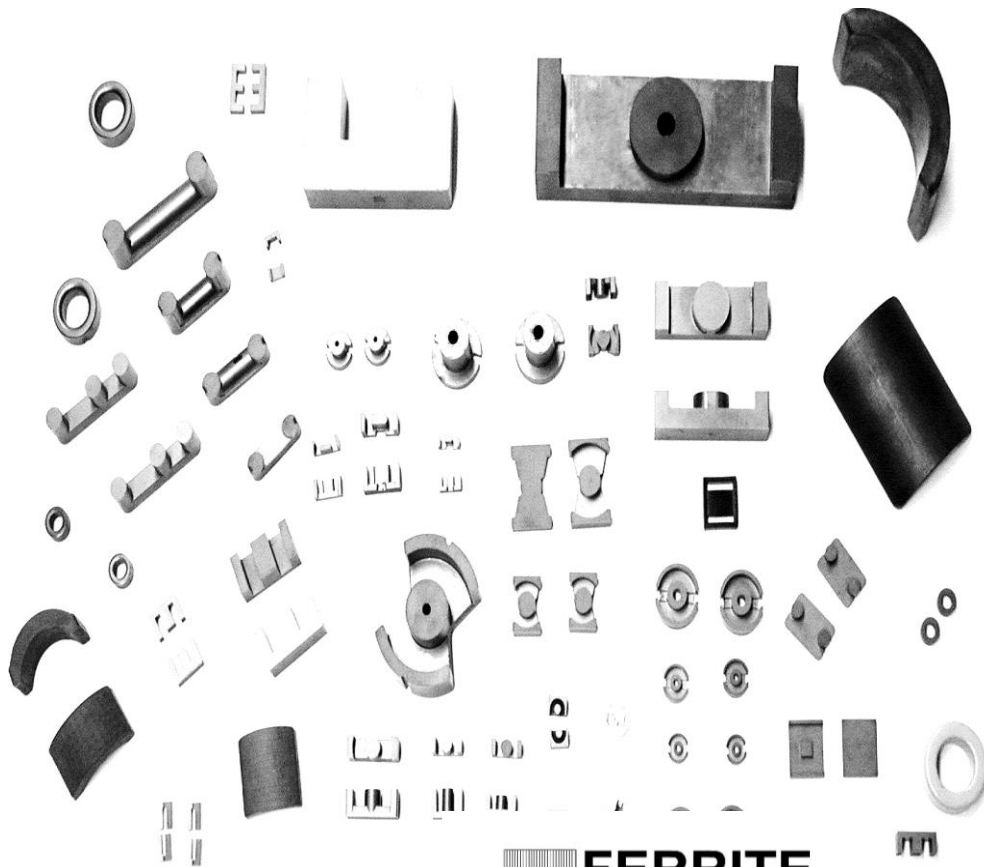


# FERRITE INTERNATIONAL

A TSC INTERNATIONAL COMPANY

## E Round Center leg SIZE / SHAPE CATALOG

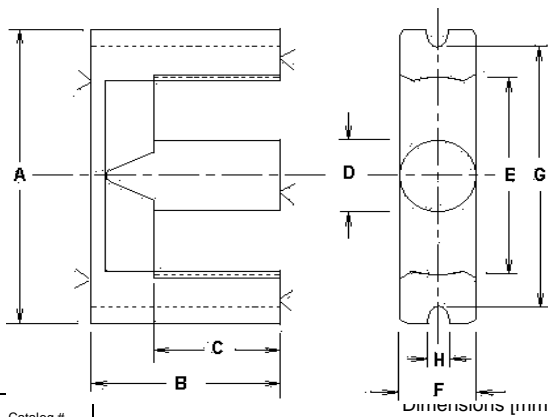


EC	1
ER	2
ER PLANAR	3
ETD	4
ABOUT	5

**F** **FERRITE**  
INTERNATIONAL  
COMPANY  
Mn Zn FERRITE CORES

# EC CORES

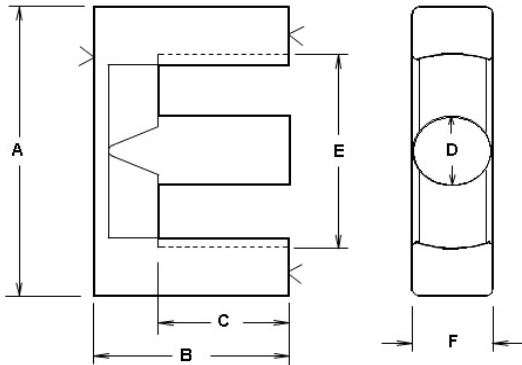
2014-R1



Catalog # Common Name	A +/- tol.	B +/- tol.	C +/- tol.	D +/- tol.	E +/- tol.	F +/- tol.	G +/- tol.	H +/- tol.	L <sub>e</sub> mm	A <sub>e</sub> mm <sup>2</sup>	V <sub>e</sub> mm <sup>3</sup>	W <sub>a</sub> mm <sup>2</sup>	W <sub>a</sub> A <sub>e</sub> mm <sup>4</sup>	Set Weight Grams	No gap AL value +/- 25%		
															5099 7099 N001	7070	8040 50ALL
35-17-10 EC35	34.50 0.80	17.30 0.15	12.25 0.35	9.50 0.30	22.75 0.55	9.50 0.30	28.50 0.80		77	84	6500	162	13,634	36.0	CALL		
41-20-12 EC41	40.60 1.00	19.50 0.15	13.90 0.40	11.60 0.30	27.05 0.75	11.60 0.30	33.60 1.00		89	121	10900	215	25,985	56.0	CALL		
52-24-13 EC52	52.20 1.30	24.20 0.15	15.90 0.40	13.40 0.35	33.00 0.90	13.40 0.35	44.00 1.30		105	180	18800	312	56,095	110.0	CALL		
70-35-16 EC70	70.00 1.70	34.50 0.15	22.75 0.45	16.40 0.40	44.50 1.20	16.40 0.40	59.60 1.70		144	279	40000	639	178,358	252.0	4,310	4,800	6,465
70-30-16 EC70S	70.00 1.70	29.80 0.15	23.00 0.40	16.40 0.40	44.50 1.20	16.40 0.40	59.60 1.70		137	242	33600	646	156,405	216.0	CALL		

# ER CORES

2014-R1



Catalog # Common Name	Dimensions [mm]									$L_e$ mm	$A_e$ mm <sup>2</sup>	$V_e$ mm <sup>3</sup>	$W_a$ mm <sup>2</sup>	$W_a A_e$ mm <sup>4</sup>	Set Weight Grams	No gap AL value +/- 25%		
	A +/- tol.	B +/- tol.	C +/- tol.	D +/- tol.	E +/- tol.	F +/- tol.	G +/- tol.	H +/- tol.	5099 7099 N001							7070	8040 50ALL	
29-14-11 EER28	28.50 0.60	14.00 0.30	9.60 0.30	9.90 0.30	21.70 0.60	11.40 0.30				64	87	5567	113	9,920	35.1	3,380	3,760	4,760
29-17-11 EER28L	28.50 0.60	16.90 0.30	12.50 0.30	9.90 0.30	21.70 0.60	11.40 0.30				75	87	6495	147	12,730	41.1	2,835	3,150	3,985
EER35A	35.00 0.80	20.70 0.30	14.70 0.30	11.30 0.30	26.10 0.80	11.30 0.30				86	107	9300	218	23,279	50.0	CALL		
EER35L	35.00 0.90	21.20 0.20	15.50 0.40	11.30 0.35	26.40 0.90	11.30 0.40				93	108	10030	234	25,301	51.6	CALL		
39-18-13 EER39S	39.00 0.80	17.80 0.20	12.60 0.40	12.80 0.30	29.20 0.80	12.80 0.30				84	125	10530	207	25,830	56.0	3,800	4,180	5,700
39-22-13 EER39	39.00 0.80	22.20 0.40	17.00 0.40	12.80 0.30	29.20 0.80	12.80 0.30				101	125	12700	279	34,850	66.9	3,080	3,388	4,620
EER45	45.10 0.90	17.30 0.20	11.00 0.25	17.75 0.25	33.65 0.65	17.75 0.25				80	238	18910	175	41,626	96.0	CALL		
EER45B	45.10 0.90	22.30 0.20	16.60 0.25	16.70 0.30	33.65 0.65	17.75 0.25				100	221	22030	281	62,183	120.0	CALL		
EER48	48.00 1.00	21.00 0.20	15.00 0.30	18.00 0.30	38.00 0.80	20.90 0.40				99	253	24935	300	75,900	140.0	5,200	5,720	7,800
EER54	53.50 1.00	18.30 0.20	11.40 0.30	17.90 0.40	40.65 0.85	17.95 0.35				90	255	22900	259	66,134	120.0	CALL		
EER55	55.20 1.10	28.40 0.40	19.15 0.45	20.60 0.40	42.20 0.85	24.70 0.40				123	330	40600	414	136,501	200.0	CALL		

# PLANAR ER CORES

2014-R1

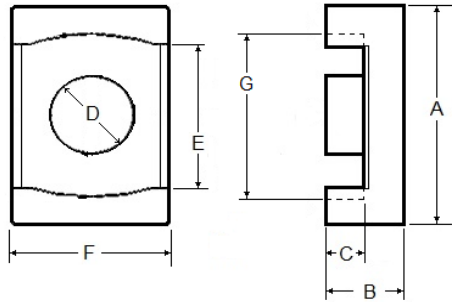


Fig 1

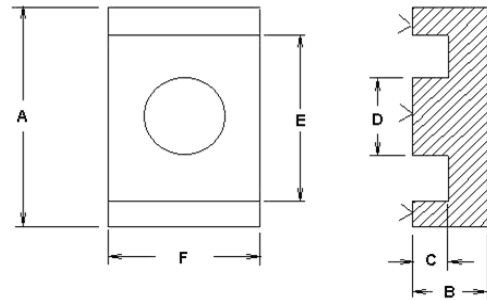
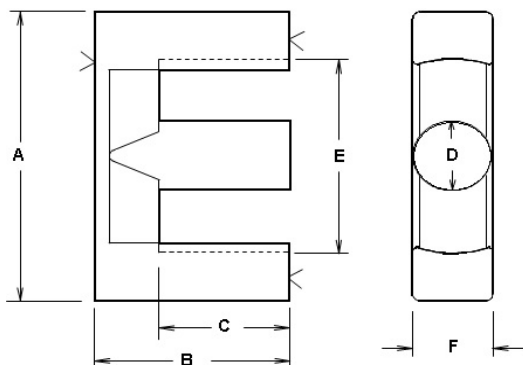


FIG 2

Catalog #	Dimensions [mm]									$L_e$	$A_e$	$V_e$	$W_a$	$W_a A_e$	Set Weight	No gap AL value +/- 25%		
	Common Name	A +/- tol.	B +/- tol.	C +/- tol.	D +/- tol.	E +/- tol.	F +/- tol.	G +/- tol.	H +/- tol.							mm	mm <sup>2</sup>	mm <sup>3</sup>
09-03-05	Fig 1	9.35 0.20	2.45 0.08	1.68 0.08	3.40 0.15	7.20 0.20	4.90 0.10	7.63 0.12		13.6	8.8	120	7.1	63	0.7	CALL		
11-03-06	Fig 1	10.83 0.17	2.45 0.08	1.58 0.08	4.12 0.12	8.10 0.20	5.90 0.10	8.85 0.15		14.1	12.4	174	7.5	93	1.1	CALL		
15-03-07	Fig 1	14.50 0.20	2.95 0.10	1.65 0.10	4.70 0.10	11.80 0.20	6.70 0.10	11.80 0.20		18.2	18.3	333	11.7	214	1.9	1,450	1,595	2,175
23-04-13	Fig 1	23.20 0.45	3.60 0.10	1.60 0.10	8.00 0.20	17.86 0.36	12.50 0.25	20.20 0.40		26.5	50.3	1333	19.5	982	6.2	CALL		
32-06-25	Fig 2	32.15 0.55	6.00 0.13	2.77 0.13	12.40 0.15	27.20 0.40	25.40 0.40			38.1	140.5	5346	41.0	5,760	27.8	CALL		
41-08-32	Fig 2	40.64 0.80	7.60 0.13	3.60 0.13	16.00 0.30	34.04 0.70	32.00 0.60			57.1	225.0	12848	64.9	14,612	66.8	CALL		
51-10-38	Fig 2	51.00 1.00	10.16 0.15	4.95 0.15	20.00 0.40	41.80 0.80	38.10 0.70			73.5	350.5	25762	221.5	77,632	134.0	CALL		
51-13-38	Fig 2	51.00 1.00	12.70 0.15	7.50 0.15	20.00 0.40	41.80 0.80	38.10 0.70			83.5	350.5	29267	276.9	97,039	152.2	CALL		
64-13-51	Fig 2	64.00 1.00	12.70 0.15	6.25 0.25	25.40 0.50	53.50 1.00	50.80 1.00			93.4	564.0	52678	356.9	201,275	273.9	CALL		

# ETD CORES

2014-R1



Catalog # Common Name	Dimensions [mm]								$L_e$ mm	$A_e$ mm <sup>2</sup>	$V_e$ mm <sup>3</sup>	$W_a$ mm <sup>2</sup>	$W_a A_e$ mm <sup>4</sup>	Set Weight Grams	No gap AL value +/- 25%		
	A +/- tol.	B +/- tol.	C +/- tol.	D +/- tol.	E +/- tol.	F +/- tol.	G +/- tol.	H +/- tol.							5099 7099 N001	7070	8040 50ALL
29-00-00 ETD29	29.92 0.61	15.80 0.20	10.97 0.28	9.50 0.30	22.61 0.61	9.50 0.30			72	76	5500	144	10,930	15.0	2,580	2,850	3,610
34-00-00 ETD34	34.21 0.69	17.30 0.20	12.09 0.28	10.80 0.30	26.31 0.69	10.80 0.30			80	97	7770	188	18,260	39.7	2,310	3,210	4,070
39-00-00 ETD39	39.09 0.79	19.79 0.20	14.61 0.38	12.50 0.30	30.10 0.79	12.50 0.30			94	125	11702	257	32,110	58.5	3,170	3,520	4,460
44-00-00 ETD44	43.99 0.89	22.30 0.20	16.51 0.38	14.81 0.38	33.30 0.81	14.81 0.38			105	173	18112	305	52,880	90.8	3,250	4,360	5,520
49-00-00 ETD49	48.69 1.09	24.69 0.20	18.08 0.41	16.31 0.38	37.01 0.89	16.31 0.38			116	211	24467	374	79,140	122.4	4,340	4,825	6,110
54-00-00 ETD54	54.50 1.30	27.60 0.20	20.20 0.40	18.90 0.40	41.20 1.10	18.90 0.40			127	280	35450	450	126,129	180.0	CALL		
59-00-00 ETD59	59.82 1.20	31.01 0.13	22.50 0.30	21.67 0.43	44.70 0.89	21.92 0.44			142	355	50382	519	183,790	283.0	6,160	6,840	8,665

History

Ferrite International was established 1985 as a division of Tempel Steel Company and was purchased in 1990 by Tempel Smith.

Quality Policy

To provide the highest value magnetic materials to our customers through a combination of exceptional quality, price, delivery and service.

Ferrite International is compliant to ISO 9000 1994.

International Environmental Regulatory Compliance

RoHS \* REACH \* ELV \* WEEE \* Halogen Free

Social Accountability Compliance

US Family and Medical Leave Act  
US Environmental Protection Agency  
US Clean Air Act  
US National Primary Drinking Water Regulation

US Fair Labor Standards Act  
US Occupational Safety and Health Administration  
US Equal Employment Opportunity Commission  
US Conflict Free Minerals

Warranty / Disclaimer

"TSC International" expressly warrants to the "Buyer" for whom it manufactures, sells and delivers product made of magnetic materials will conform to specifications and drawings as published within the product catalog. Buyer specifications that have not been approved by the International Electronic Commission shall be considered as a custom product, and will be warranted by TSC International in a separate written agreement.

There are no other express or implied warranties which extend beyond the above-referenced warranty of conformance to the specifications and specifically. TSC International does not warrant that any product will be merchantable or fit for the particular purpose for which the purchaser, its successors, agents or affiliates, intends to use product. Before using these products, buyer agrees to determine suitability of the product for their intended use or application.

Buyer shall notify TSC International in writing (and reasonable detail) of any defect in any product within thirty (30) days after the delivery date thereof. If products do not conform to the specification and TSC determines to its satisfaction that the parts are defective, and the defect is not due to misuse, accident or improper application, buyer's remedy shall be limited, at TSC international's sole discretion, to either (1) The return of such product in exchange for the return of, or credit for any payment received by TSC International relating thereto; (2) The replacement of such product; or (3) The repair of such product. TSC International shall pay reasonable shipping costs incurred in connection with the return, replacement or repair of any defective product. Solution to resolve defective product shall be within (60) days after written receipt of written notice from the buyer of such defect.

TSC International shall not be liable for any incidental or consequential loss, damage, or expense (including without limitation, economic loss or lost profits) of buyer for any defective product sold and delivered to the buyer regardless of whether such loss, damage or expense results from breach of contract or warranty or commission of tort (including, without limitation, strict liability or negligence).

These products are not designed for use in life support appliances, devices or systems where malfunction of these products can reasonably be expected to result in personal injury. Buyers that are using or selling these products for use in such applications do so at their own risk and agree to indemnify TSC International for any damages resulting from such application.